

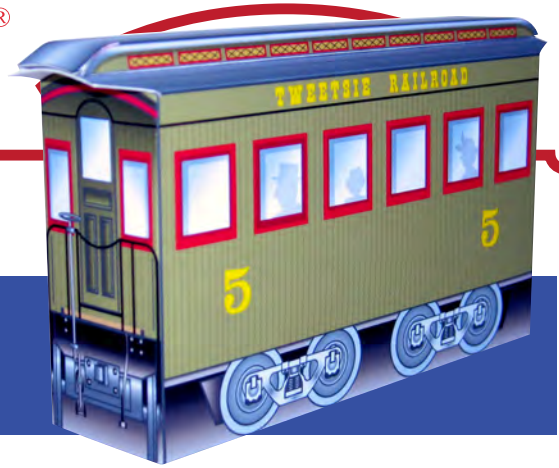
Build  
Your  
Own

# TWEETSIE<sup>®</sup>

RAILROAD

3-D

## Historic Coach #5



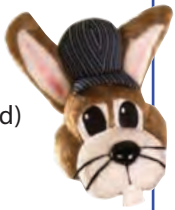
## ASSEMBLY INSTRUCTIONS

Time to complete: Approx. 40 minutes • Difficulty level: Medium

### GET STARTED

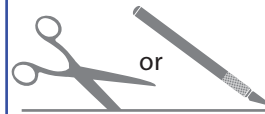
#### materials:

- Metal-edged Ruler
- Glue (tacky craft glue or rubber cement)
- Butter knife (recommended)
- Scissors or craft knife (have an adult help)

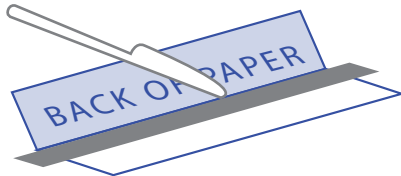


**1.** Print out with a color desktop printer. Use "fit to page" option if needed, and set to maximum print area. Regular copy paper will work, heavier paper like card stock may work better.

**2.** Use scissors or a craft knife to cut out all the pieces along outer edges and where shown in pink. Have an adult help.



**3.** To help with folding, score all the pieces using the ruler for a guide and run the back side of the butter knife along the corner edges and tabs. Fold back all corners & tabs. (most all fold back to create a "peak" fold)



An example of a "peak" fold.



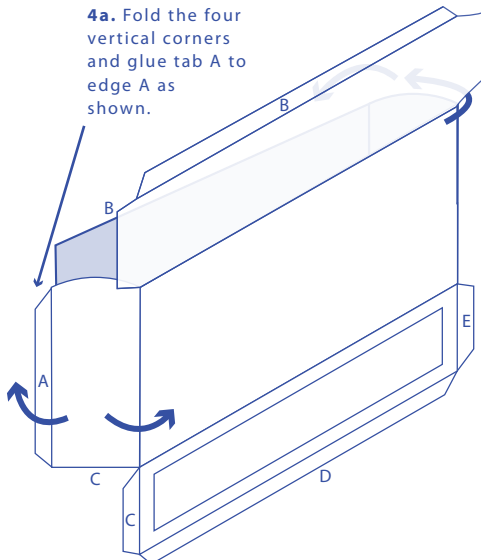
An example of a "valley" type fold.



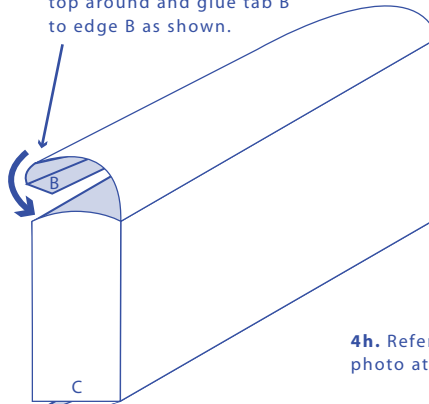
### ASSEMBLY OF YOUR HISTORIC COACH

**4.** After everything is cut, scored & folded, start with the corners of the Historic Coach. Begin with tab A & glue to edge A, then fold the front & glue tab B to edge B. Proceed with tabs C, D, E, etc. It's basically a box.

**4a.** Fold the four vertical corners and glue tab A to edge A as shown.



**4b.** Bend the Historic Coach top around and glue tab B to edge B as shown.



**4c.** Fold the bottom under and glue tabs C, D, E to the corresponding edges as shown.

**4d.** Fold all edges & tabs of the Clerestory.

**4e.** Bend or curve down ends of cap & glue side end tabs H, I, J, K.

**4f.** Fold under tabs F & G.

**4g.** Glue tabs F & G to top of Coach roof, align with guide lines.

**4h.** Refer to photo at top.

