

Build  
Your  
Own

# TWEETSIE<sup>®</sup>

RAILROAD

3-D

## Locomotive No. 190



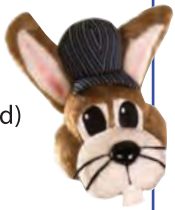
## ASSEMBLY INSTRUCTIONS

Time to complete: Approx. 40 minutes • Difficulty level: Medium

### GET STARTED

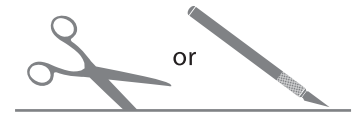
#### materials:

- Metal-edged Ruler
- Glue (tacky craft glue or rubber cement)
- Butter knife (recommended)
- Scissors or craft knife (have an adult help)

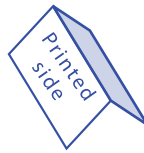
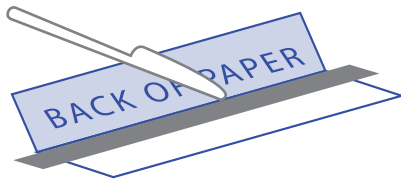


**1.** Print out with a color desktop printer. Use "fit to page" option if needed, and set to maximum print area. Regular copy paper will work, heavier paper like card stock may work better.

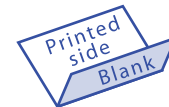
**2.** Use scissors or a craft knife to cut out all the pieces along outer edges and where shown in pink. Have an adult help.



**3.** To help with folding, score all the pieces using the ruler for a guide and run the back side of the butter knife along the corner edges and tabs. Fold back all corners & tabs. (most all fold back to create a "peak" fold)



An example of a "peak" fold.

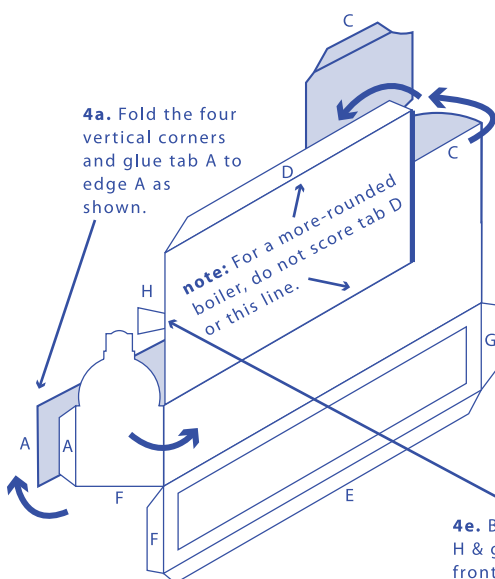


An example of a "valley" type fold.



### ASSEMBLY OF YOUR TRAIN

**4.** After everything is cut, scored & folded, start with the main body of the train. Begin with tab A & glue to edge A, then fold the front of cab & glue tab B to edge B. Proceed with steps C, D, E, etc.



**4b.** Fold and bend the cab front tab B & glue to edge B.

**4c.** Fold and bend the cab roof around & glue tab C to edge C as shown.

**4d.** Bend the boiler top around and glue tab D to edge D as shown.

**4e.** Bend the tab H & glue behind front panel

**4g.** Curve around all three stacks & glue their tabs i.e. tab K to edge K.

**4h.** Glue bottom tabs of all three stacks to top of boiler. (see photo)

**note:** It may be easier to pre-curl the stacks around a pen prior to gluing & attaching.

**4f.** Fold the bottom under and glue tabs E, F, G to the corresponding edges as shown.

**4i.** Fold the Pilot as shown & glue the two tabs to lower center of engine front.

**TWEETSIE.COM** Visit our website to find out more about Tweetsie Railroad, and how to plan your next visit to our theme park for **YOUR** Wild West Train Adventure!



©Copyright 2010 Tweetsie Railroad. All rights reserved.  
Tweetsie Railroad | 300 Tweetsie Railroad Lane  
Blowing Rock, NC 28605 | 800-526-5740 | tweetsie.com